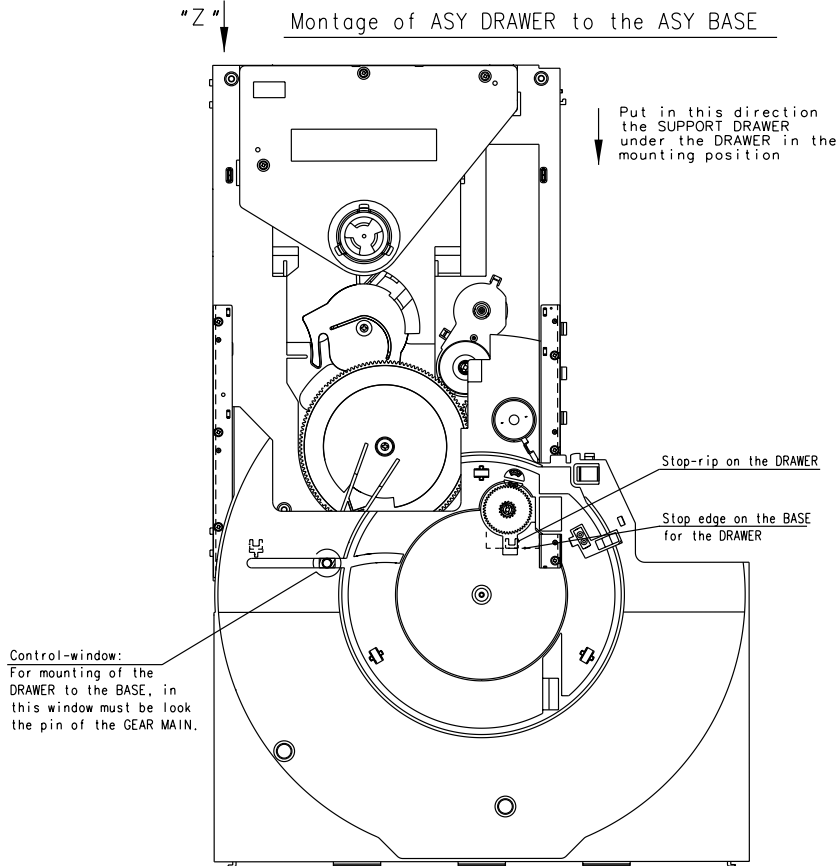


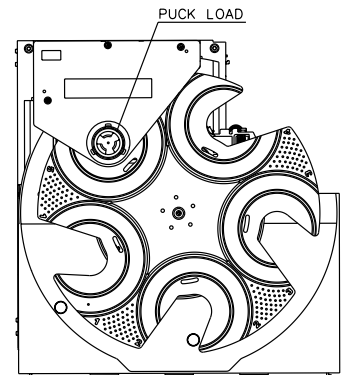
DV-705/DVF-R5070-S

ASSEMBLY FOR REPAIR

Montage of ASY DRAWER to the ASY BASE

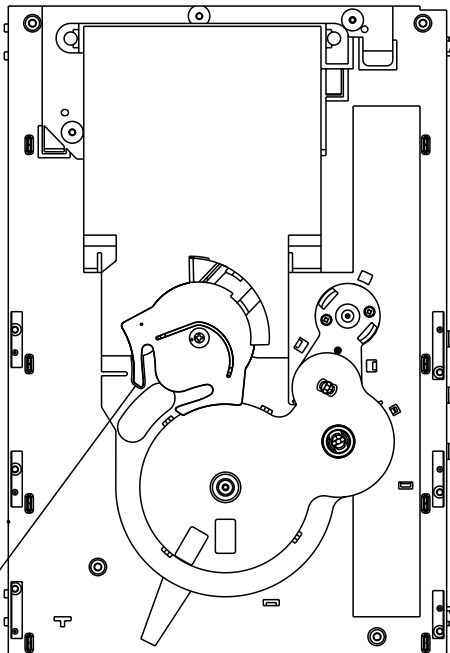


Montage of the PLATTER



Note:
Mounting the PLATTER if the DRAWER is inside. The Position of a DISK-mark must be middle of the PUCK LOAD.

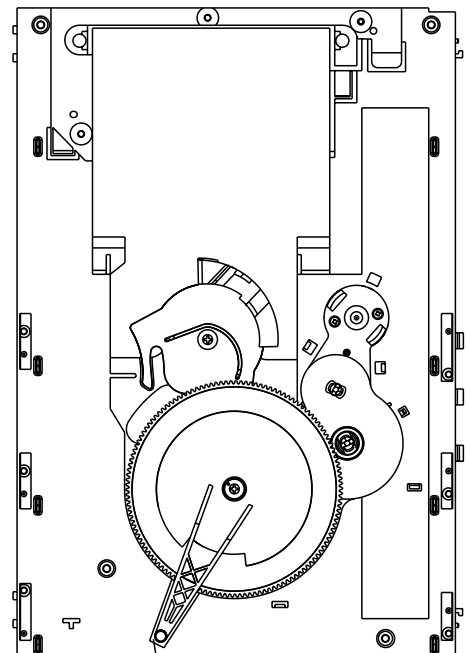
Montage of CAM LIFTER



Marking for position of CAM LIFTER

Montage of GEAR MAIN

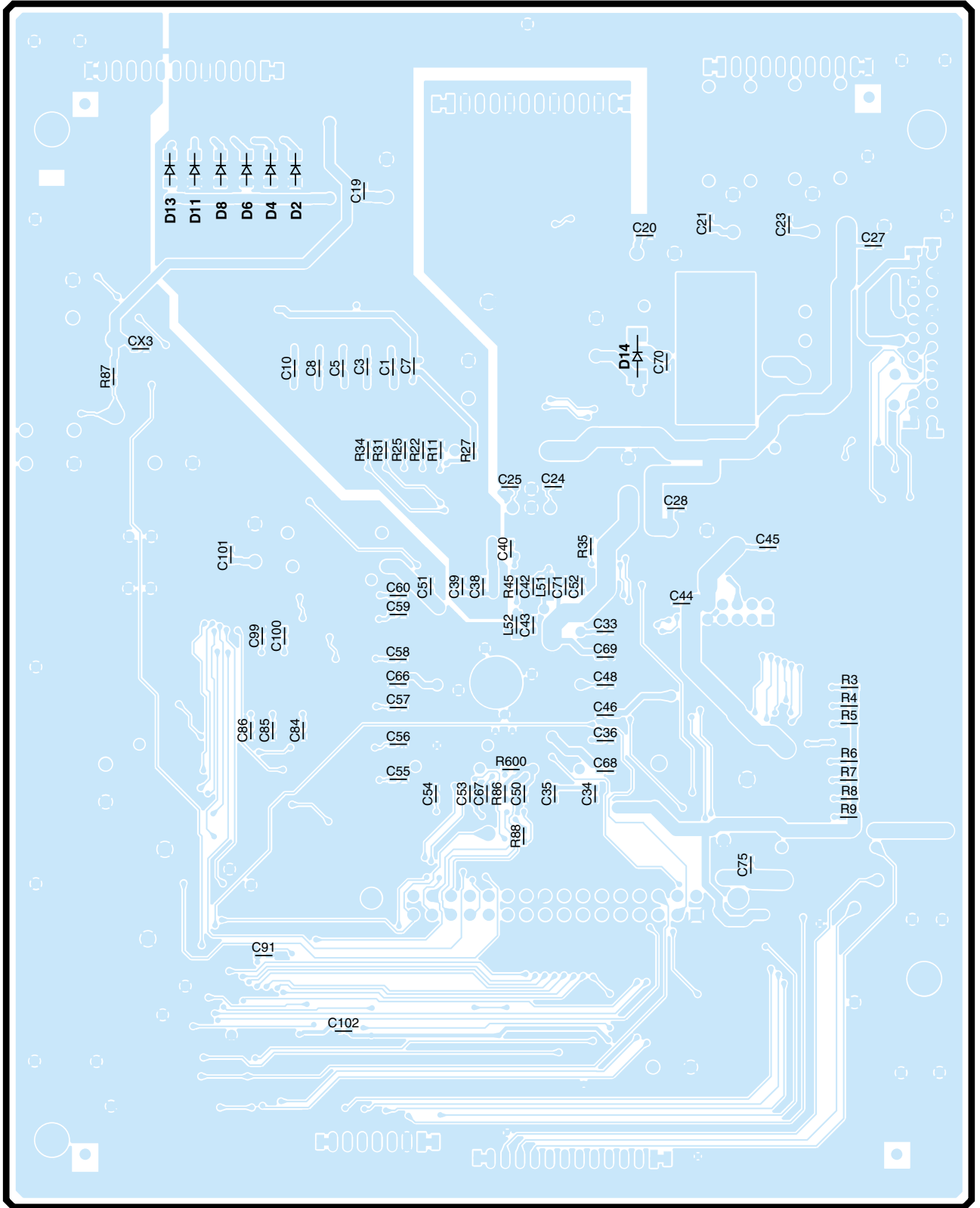
VIEW TOP
Scale 1:2



Marking for position of GEAR MAIN

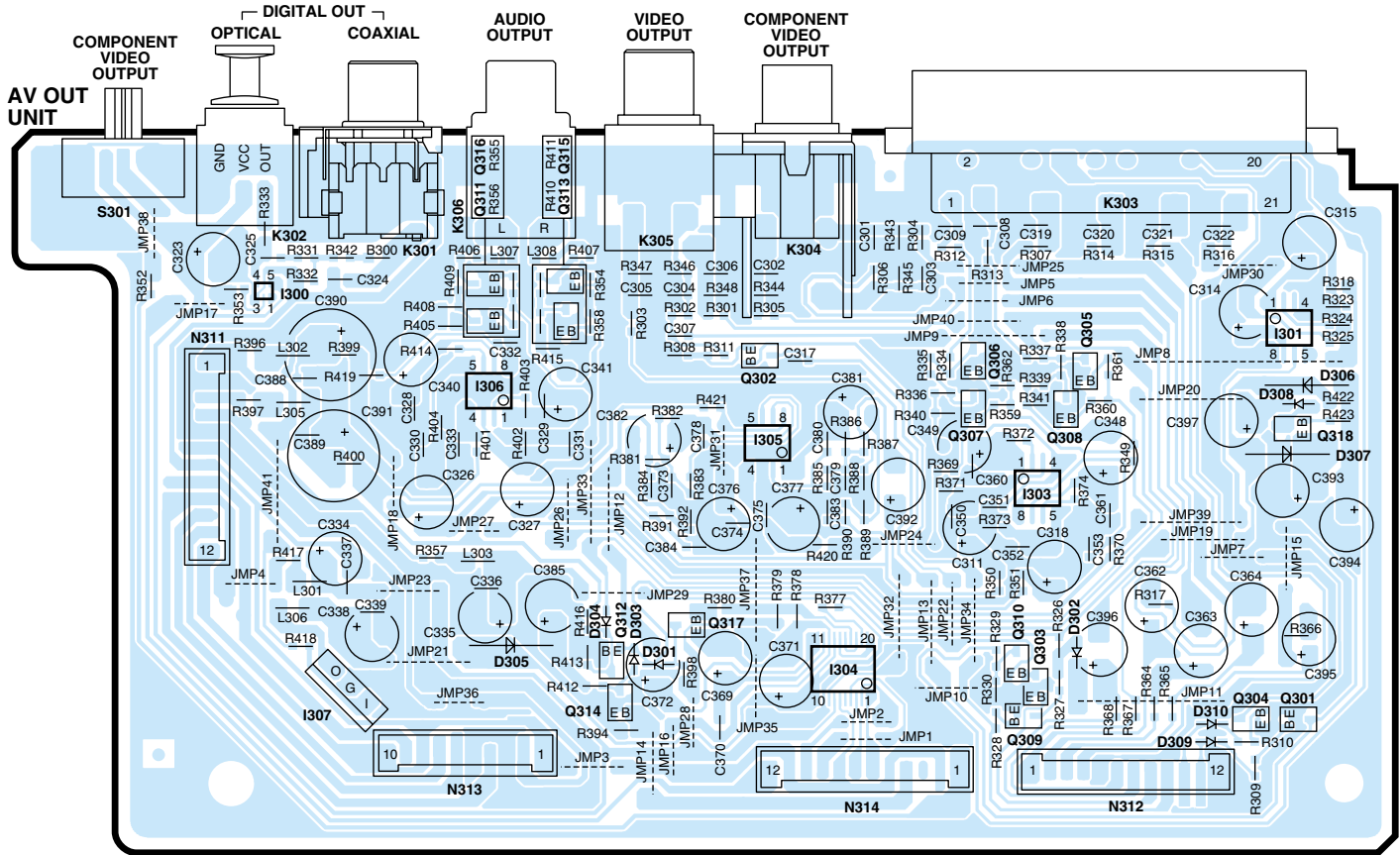
PC BOARD

MAIN UNIT (SIDE-B)

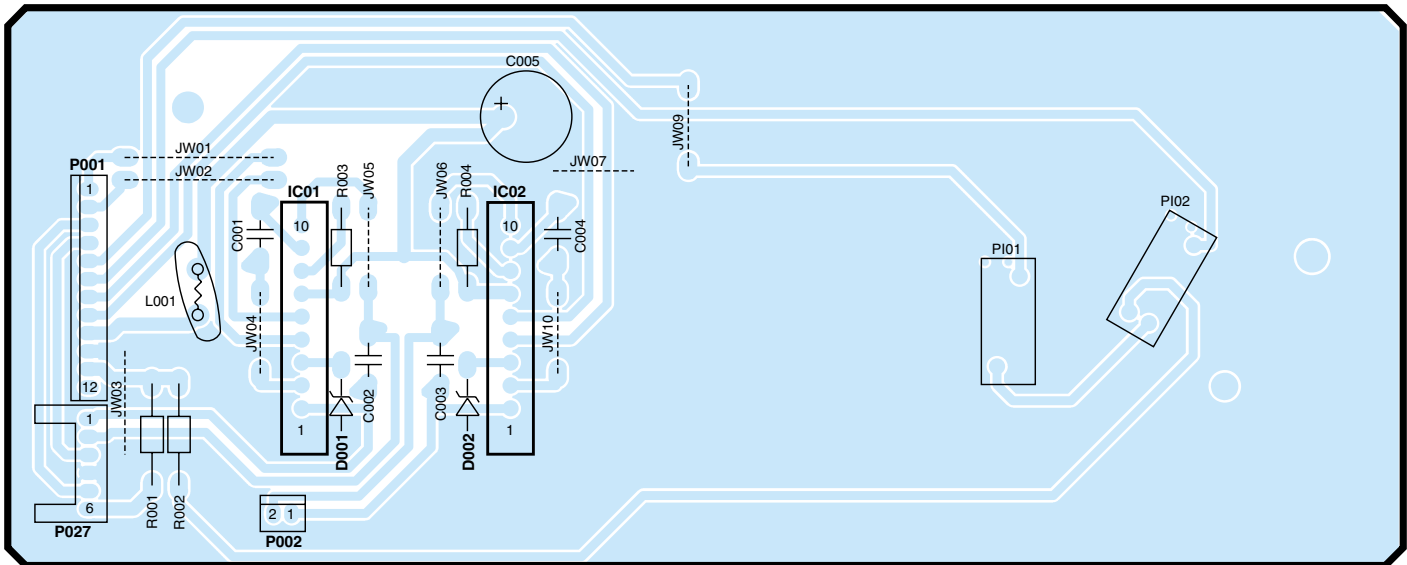


Refer to the schematic diagram for the value of resistors and capacitors.

PC BOARD



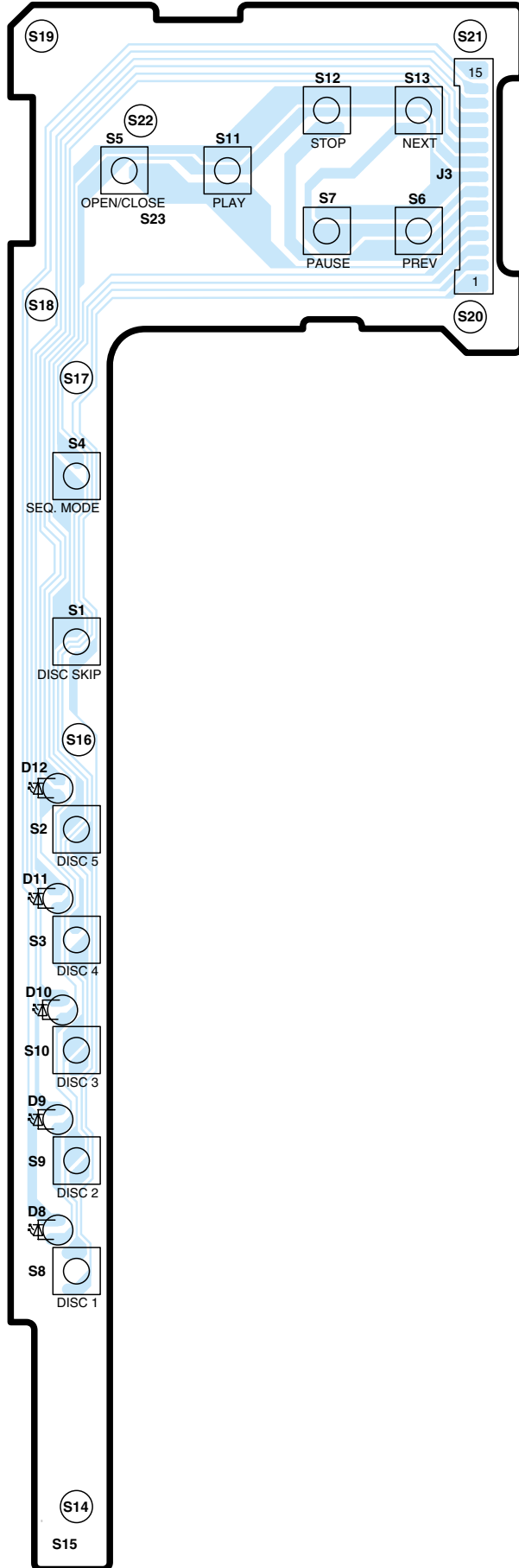
MECHA CONTROL UNIT



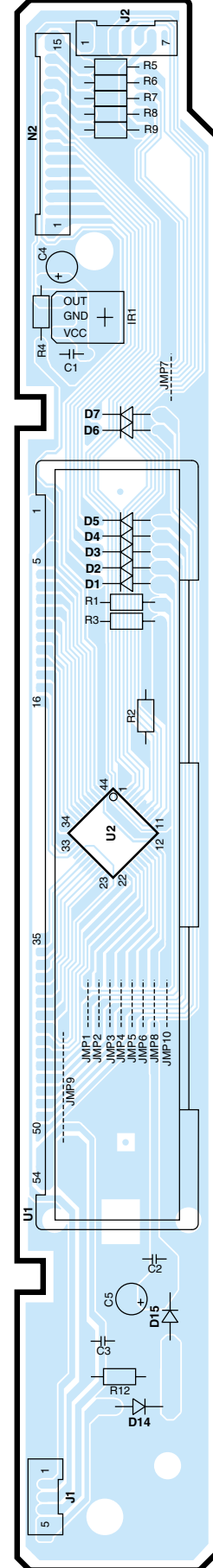
Refer to the schematic diagram for the value of resistors and capacitors.

PC BOARD

FRONT KEY UNIT

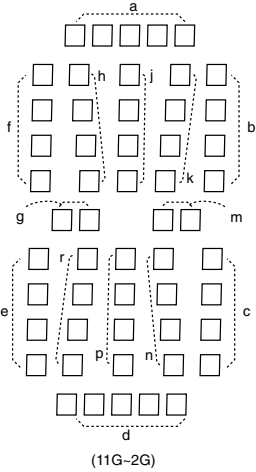


FRONT VFD UNIT

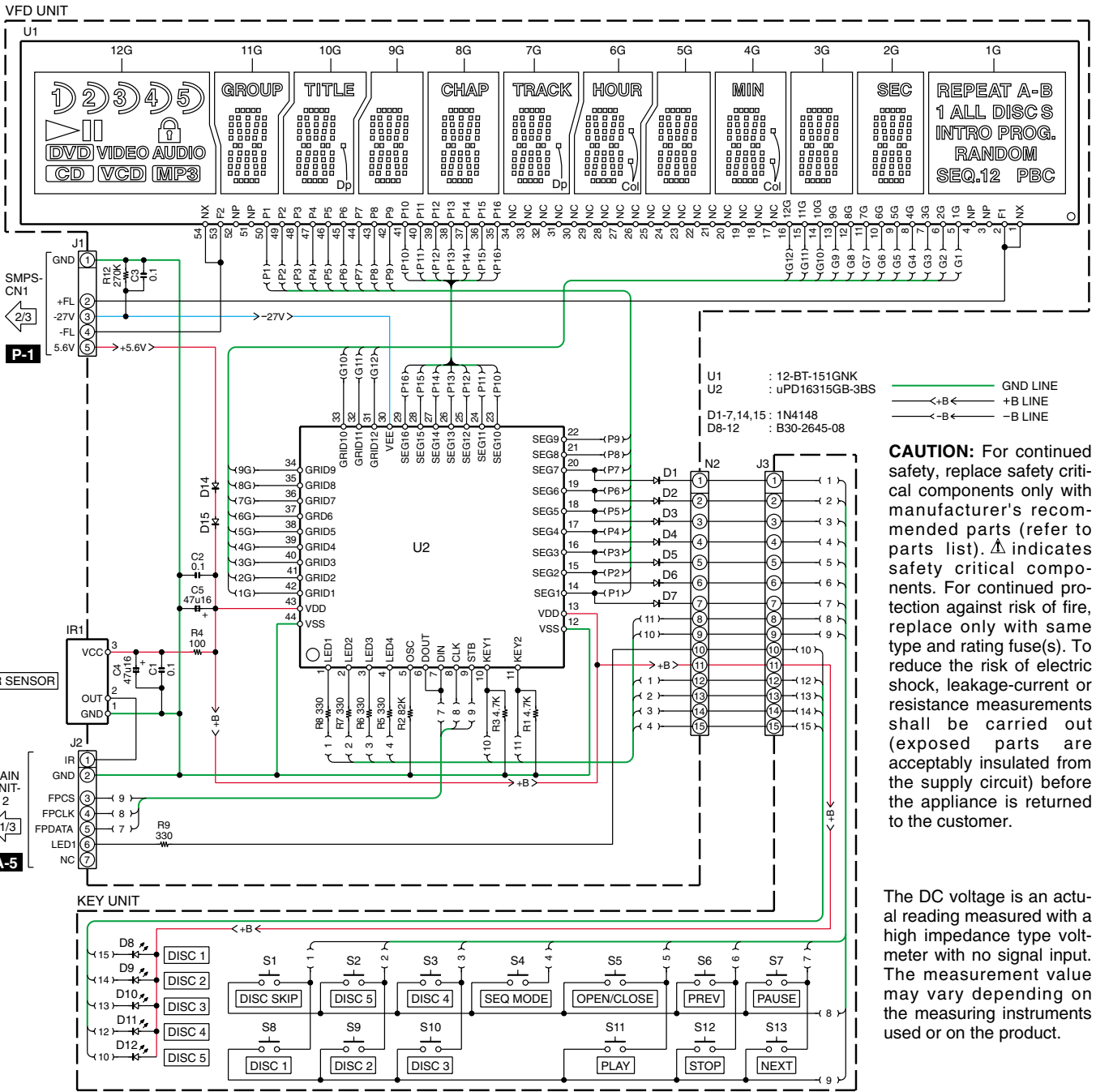


Refer to the schematic diagram for the value of resistors and capacitors.

DV-705/DVF-R5070-S



	12G	11G	10G	9G	8G	7G	6G	5G	4G	3G	2G	1G
P1	1)	GROUP	TITLE	—	CHAP	TRACK	HOUR	—	MIN	—	SEC	REPEAT
P2	2)	a	a	a	a	a	a	a	a	a	a	A-
P3	3)	b	b	b	b	b	b	b	b	b	b	B
P4	4)	f	f	f	f	f	f	f	f	f	f	1
P5	5)	h	h	h	h	h	h	h	h	h	h	ALL
P6	▶	k	k	k	k	k	k	k	k	k	k	DISC
P7	⏮	j	j	j	j	j	j	j	j	j	j	INTRO
P8	🔒	g	g	g	g	g	g	g	g	g	g	PROG.
P9	DVD	m	m	m	m	m	m	m	m	m	m	RANDOM
P10	VIDEO	c	c	c	c	c	c	c	c	c	c	SEQ.
P11	AUDIO	e	e	e	e	e	e	e	e	e	e	1
P12	CD	r	r	r	r	r	r	r	r	r	r	2
P13	VCD	p	p	p	p	p	p	p	p	p	p	PBC
P14	MP3	n	n	n	n	n	n	n	n	n	n	S
P15	—	d	d	d	d	d	d	d	d	d	d	—
P16	—	—	Dp	—	—	Dp	Col	—	Col	—	—	—



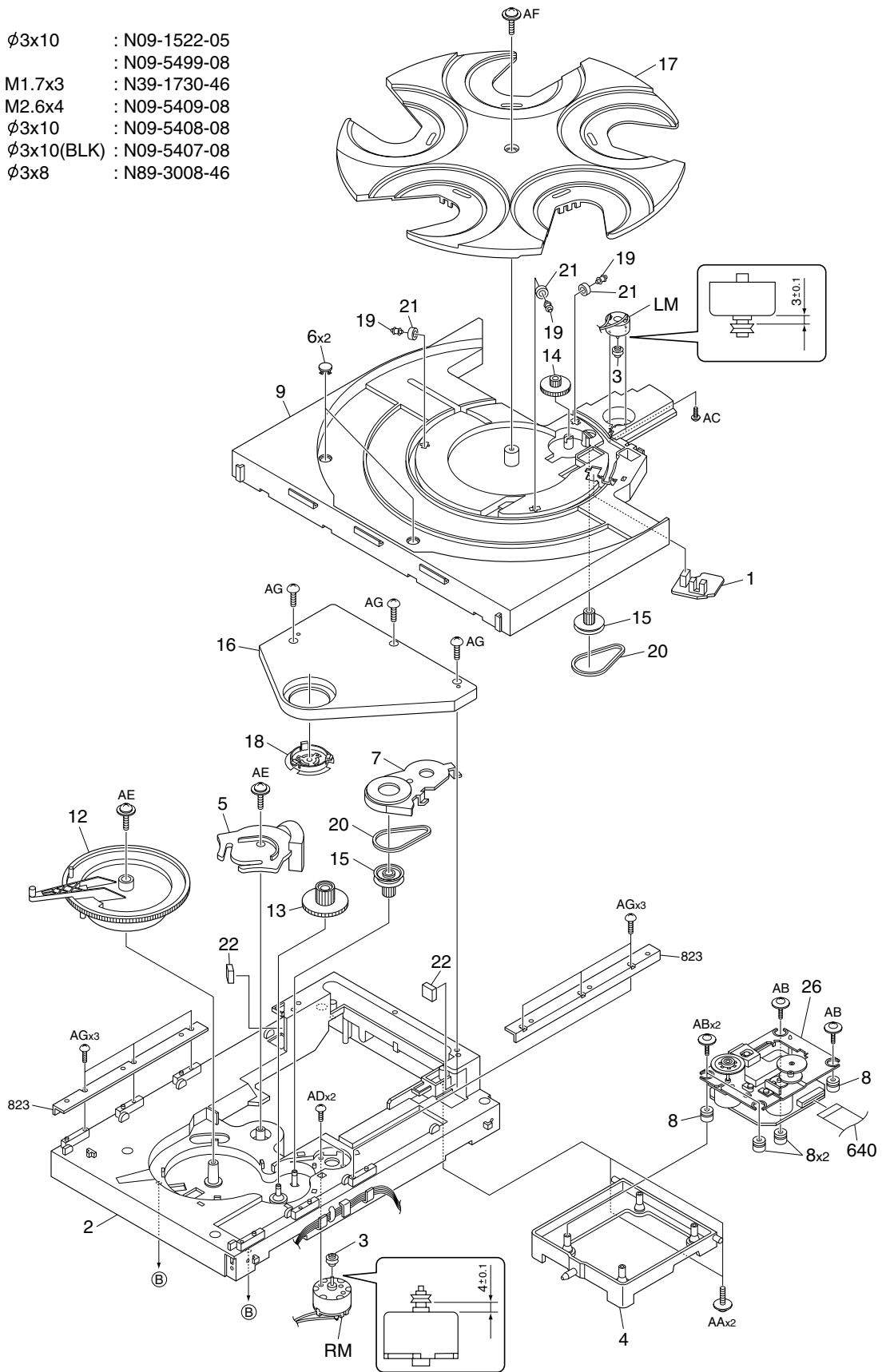
CAUTION: For continued safety, replace safety critical components only with manufacturer's recommended parts (refer to parts list). Δ indicates safety critical components. For continued protection against risk of fire, replace only with same type and rating fuse(s). To reduce the risk of electric shock, leakage-current or resistance measurements shall be carried out (exposed parts are acceptably insulated from the supply circuit) before the appliance is returned to the customer.

The DC voltage is an actual reading measured with a high impedance type voltmeter with no signal input. The measurement value may vary depending on the measuring instruments used or on the product.

DV-705/DVF-R5070-S

EXPLODED VIEW (MECHANISM)

AA	∅3x10	: N09-1522-05
AB		: N09-5499-08
AC	M1.7x3	: N39-1730-46
AD	M2.6x4	: N09-5409-08
AE	∅3x10	: N09-5408-08
AF	∅3x10(BLK)	: N09-5407-08
AG	∅3x8	: N89-3008-46



DV-705

* New Parts

Parts without **Parts No.** are not supplied.Les articles non mentionnés dans le **Parts No.** ne sont pas fournis.Teile ohne **Parts No.** werden nicht geliefert.

①

Ref. No	Add- ress	New Parts	Parts No.	Description	Desti- nation	Re- marks
DV-705(K, P)/DVF-R5070-S(E, Y)						
-		*	B60-5361-08	AC BOOK INS(EN)	55648340	
-		*	B60-5362-08	AC BOOK INS(FR)	55691460	PE
-		*	B60-5363-08	AC BOOK (G/I/E)	55691480	E
-			H10-7818-08	MAT-PKG CUSHIO	5520874A	
-			H21-0393-08	AC SHEET EPE D	55170660	
-			H25-1712-08	AC CPL BAG RCA	55170650	
-		*	H50-4794-08	AC GIFTBOX DV7	55714210	KP
-		*	H50-4795-08	AC GIFTBOX DVF	55706040	Y
-		*	H50-4797-08	AC GIFTBOX DVF	55703010	E
601	1D		B43-0333-08	AC DEC PLATE L	55266270	
602	1D	*	A29-1225-08	AC DEC DOOR TR	55702340	
603	2C	*	B03-3935-08	AC DEC CRYSTAL	55702410	E
603	2C	*	B03-3936-08	AC DEC CRYSTAL	55714110	KPY
604	2C	*	B11-1587-08	AC DEC CRYSTAL	55608170	
605	2C	*	K27-2508-08	AC DEC KNOB PO	55296130	
606	2C		B43-0302-04	AC CPL PLATE L	55220500	
607	2C	*	A60-2370-08	AC DEC CABINET	55702310	EY
607	2C	*	A60-2371-08	AC DEC CABINET	55713950	KP
609	2D		D14-0827-08	AC ROLLER HUB	20712170	
610	2D		D14-0819-08	AC ROLLER CD5	20712120	
612	2C	*	K29-8327-08	BUTTON ASSY		
613	2C		G10-0597-08	FELT BK 30.0MM	20634190	
615	2D	*	K29-8328-08	AC DEC BUTTON	55702390	
618	2D,2E		J02-1538-08	RUBBER FOOT CU	55236630	
619	2D		J02-1510-08	AC DEC FOOT KE	55235230	
620	2D,2E		G53-0091-08	AC RAW SHIELD	55174550	
621	2D	*	F19-1132-08	AC PUN SHIELD	55738830	
622	2E		J02-1529-08	AC MLD FOOT KE	55235300	
625	2E		J19-6378-08	AC MLD BRACKET	5516498A	
626	2E	*	W02-4507-08	AC EMBD IMA DV	55596250	
629	1E		J42-0350-08	AC MLD CLAMP A	55125180	
630	1E		E30-7250-08	WIRE-MCRDM 0.7	55190780	KPY
630	1E		E30-7251-08	WIRE-MCRDM 0.7	55190790	E
631	1E		L92-0524-08	FCORE FERRIT M	55148840	
635	1C	*	A01-3916-08	AC PUN COVER T	55702510	KP
635	1C	*	A01-3917-08	AC PUN COVER T	55741440	
636	1C	*	D21-2960-08	AC MLD SHAFT P	55608220	
637	1C	*	W02-4508-08	AD ASY SMPS DV	5571111A	
640	3B,1E		E35-3013-08	FFC-JUMPER 19X	55183650	
650	1C		E30-7235-08	WIRE-CABSP AUD	55186190	
651	1C		E30-2990-08	WIRE-CABSP AUD	55176530	
652	1C		A70-1570-08	EPR RCT REMOTE	55236640	
A			N89-3008-46	SCREW 3MM 8MM	55164800	
B			N09-2706-05	SCREW-SPEC 3MM	55135460	
C			N89-3006-45	SCREW-ST 3MM 6	55127280	
D			N89-3006-46	SCREW-ST 3MM 0	55049000	
E			N89-2608-46	SCREW-ST 2.6MM	55712510	
F			N09-5269-08	SCREW-ST 3MM 1	55127290	
G			N89-3008-41	SCREW-ST 3MM 8	55215970	EY
H			N15-1030-46	WASHER 3.3MM 8	55127310	
DVD MECHANISM						
1	2B	*	W02-4506-08	ASY PCB SENSOR	10658770	
2	3A	*	A10-3609-08	BASE TC5E	10746520	

L : Scandinavia K : USA P : Canada R : Mexico C : China I : Malaysia
 Y : PX(Far East,Hawaii) T : England E : Europe G : Germany V : China(Shanghai)
 Y : AAFES(Europe) X : Australia Q : Russia H : Korea M : Other Areas Δ indicates safety critical components.

* New Parts

Parts without **Parts No.** are not supplied.Les articles non mentionnés dans le **Parts No.** ne sont pas fournis.Teile ohne **Parts No.** werden nicht geliefert.

②

Ref. No	Add- ress	New Parts	Parts No.	Description	Desti- nation	Re- marks
3	3A,1B	*	D15-0460-08	BELT WHEEL 2	10707830	
4	3B	*	A15-0122-08	BRACKET TC5E	10746530	
5	2A	*	D12-0166-08	CAM LIFTER	10746550	
6	1A,1D	*	F19-1131-08	COVER DRAWER	10746650	
7	2A	*	F07-2021-08	COVER GEAR	10746560	
8	3B		D39-0357-08	CUSHION B	10741230	
9	1A	*	J99-0851-08	DRAWER	10746620	
12	2A	*	D13-2645-08	GEAR MAIN	10746540	
13	2A	*	D13-2646-08	GEAR DRIVE	10707940	
14	1B	*	D13-2647-08	GEAR PLATTER	10746640	
15	2A,2B	*	D13-2648-08	GEAR PULLEY	10707950	
16	2A	*	A11-1235-08	HOLDER PUCK DVD	10746580	
17	1B	*	J99-0852-08	PLATTER TC5E	10746630	
18	2A	*	J11-0897-08	PUCK LOAD ASSY		
19	1A,1B	*	D21-2959-08	ROLLER HUB	10707920	
20	2A,2B		D16-0779-08	RUBBER BELT DR		
21	1A,1B		D14-0819-08	RUBBER ROLLER	20712120	
22	3A,3B		A15-0113-08	RUBBER SPACER	20689440	
26	3B	*	D40-1823-08	DVD MDL TVM503		
AA			N09-1522-05	SCREW SPEC3X10	10752960	
AB		*	N09-5499-08	SCREW WASHER	10520320	
AC			N39-1730-46	SCREW 1.7X3	10703470	
AD			N09-5409-08	SCREW 2.6X4	20349530	
AE			N09-5408-08	SCREW 3X10 ST	20692300	
AF			N09-5407-08	SCREW 3X10 BLK	20692310	
AG			N89-3008-46	SCREW 3X8 ST	20349380	
LM	1B	*	T42-1147-08	MOTOR LOADING	10701510	
RM	3A	*	T42-1116-08	MOTOR DC RF500	20581800	
AV OUT						
K301			E63-1244-08	CON PHONO SCKT	55164750	
K303			E40-8779-08	CON SCART DUAL	55176340	E
K304			E63-1192-08	CON PHONO SCKT	55149420	KPY
K305			E68-0018-08	CON DIN SCKT M	55191220	
K306			E63-1227-08	CON PHONO SCKT	55175260	
K302			GP1F32T	D-LEM GP1F32T	55164740	
C301-306			CC73GCH1H100D	CHIP C	10PF	D
C307			CK73GB1H103K	CHIP C	0.010UF	K
C308,309			CC73GCH1H221J	CHIP C	220PF	J
C311			CE04LW1C470M	ELECTRO	47UF	16WV
C314			CE04LW1C221M	ELECTRO	220UF	16WV
C315			CE04LW1C100M	ELECTRO	10UF	16WV
C317			CK73GB1C104Z	CHIP C	0.10UF	Z
C318			CE04LW1C470M	ELECTRO	47UF	16WV
C319-322			CC73GCH1H100D	CHIP C	10PF	D
C323			CE04LW1C470M	ELECTRO	47UF	16WV
C324			CC73GCH1H100D	CHIP C	10PF	D
C325			CK73GB1C104Z	CHIP C	0.10UF	Z
C326,327			CE04LW1C470M	ELECTRO	47UF	16WV
C328-333			CC73GCH1H101J	CHIP C	100PF	J
C334			CE04LW1C221M	ELECTRO	220UF	16WV
C335			CE04LW1C470M	ELECTRO	47UF	16WV
C336,337			CK73GB1C104Z	CHIP C	0.10UF	Z
C338			CE04LW1C221M	ELECTRO	220UF	16WV
C339			CK73GB1C104Z	CHIP C	0.10UF	Z

L : Scandinavia K : USA P : Canada R : Mexico C : China I : Malaysia
 Y : PX(Far East,Hawaii) T : England E : Europe G : Germany V : China(Shanghai)
 Y : AAFES(Europe) X : Australia Q : Russia H : Korea M : Other Areas Δ indicates safety critical components.

* New Parts

Parts without **Parts No.** are not supplied.

Les articles non mentionnés dans le **Parts No.** ne sont pas fournis.

Teile ohne **Parts No.** werden nicht geliefert.

3

Ref. No	Add-ress	New Parts	Parts No.	Description	Desti-nation	Re-marks
C340,341 C348,349 C350-353 C360,361 C362-364			CE04LW1C470M CE04LW1C470M CC73GCH1H101J CC73GCH1H101J CE04LW1C221M	ELECTRO 47UF 16WV ELECTRO 47UF 16WV CHIP C 100PF J CHIP C 100PF J ELECTRO 220UF 16WV	E E E E	
C369 C370 C371 C372 C373			CE04LW1C100M CC73GCH1H561J CE04LW1C101M CE04LW1C100M CK73GB1H122K	ELECTRO 10UF 16WV CHIP C 560PF J ELECTRO 100UF 16WV ELECTRO 10UF 16WV CHIP C 1200PF K		
C374,375 C376,377 C378 C379 C380			CK73GB1C104Z CE04LW1C470M CC73GCH1H121J CK73GB1H122K CC73GCH1H121J	CHIP C 0.10UF Z ELECTRO 47UF 16WV CHIP C 120PF J CHIP C 1200PF K CHIP C 120PF J		
C381,382 C383,384 C385 C388,389 C390,391			CE04LW1C470M CC73GCH1H101J CE04LW1C221M CK73GB1C104Z CE04LW1C471M	ELECTRO 47UF 16WV CHIP C 100PF J ELECTRO 220UF 16WV CHIP C 0.10UF Z ELECTRO 470UF 16WV		
C392 C393 C394 C395,396 C397			CE04LW1C100M CE04LW1C221M CE04LW1C470M CE04LW1C221M CE04LW1H2R2M	ELECTRO 10UF 16WV ELECTRO 220UF 16WV ELECTRO 47UF 16WV ELECTRO 220UF 16WV ELECTRO 2.2UF 50WV		
B300 L301-303 L305,306 L307,308			L32-1047-08 L90-0502-08 L90-0502-08 R92-1989-08	FBEAD SURFACE 55126670 LF-SMD 2U2H +1 55416850 LF-SMD 2U2H +1 55416850 FBEAD SURFACE 55126660		
R301 R302 R303 R304 R305,306			RK73GB1J560J RK73GB1J470J RK73GB1J000J RK73GB1J000J RK73GB1J560J	CHIP R 56 J 1/16W CHIP R 47 J 1/16W CHIP R 0 J 1/16W CHIP R 0 J 1/16W CHIP R 56 J 1/16W		KPY KPY
R307 R308 R309 R310 R311			RK73GB1J560J RK73GB1J102J RK73GB1J332J RK73GB1J332J RK73GB1J223J	CHIP R 56 J 1/16W CHIP R 1.0K J 1/16W CHIP R 3.3K J 1/16W CHIP R 3.3K J 1/16W CHIP R 22K J 1/16W	E E E	
R312,313 R314 R315,316 R317 R318			RK73GB1J101J RK73GB1J000J RK73GB1J560J RK73GB1J560J RK73GB1J301J	CHIP R 100 J 1/16W CHIP R 0 J 1/16W CHIP R 56 J 1/16W CHIP R 56 J 1/16W CHIP R 300 J 1/16W	E E E E	
R323 R324 R326,327 R328 R329			RK73GB1J301J RK73GB1J103J RK73GB1J102J RK73GB1J222J RK73GB1J750J	CHIP R 300 J 1/16W CHIP R 10K J 1/16W CHIP R 1.0K J 1/16W CHIP R 2.2K J 1/16W CHIP R 75 J 1/16W	E E E E	
R330 R331 R332 R333 R334			RK73GB1J102J RK73GB1J181J RK73GB1J750J RK73GB1J221J RK73GB1J151J	CHIP R 1.0K J 1/16W CHIP R 180 J 1/16W CHIP R 75 J 1/16W CHIP R 220 J 1/16W CHIP R 150 J 1/16W	E E E E	

L : Scandinavia K : USA P : Canada R : Mexico C : China I : Malaysia
 Y : PX(Far East,Hawaii) T : England E : Europe G : Germany V : China(Shanghai)
 Y : AAFES(Europe) X : Australia Q : Russia H : Korea M : Other Areas Δ indicates safety critical components .

* New Parts

Parts without **Parts No.** are not supplied.

Les articles non mentionnés dans le **Parts No.** ne sont pas fournis.

Teile ohne **Parts No.** werden nicht geliefert.

4

Ref. No	Add-ress	New Parts	Parts No.	Description	Desti-nation	Re-marks
R335,336 R337 R338,339 R340,341 R342			RK73GB1J181J RK73GB1J151J RK73GB1J181J RK73GB1J104J RK73GB1J560J	CHIP R 180 J 1/16W CHIP R 150 J 1/16W CHIP R 180 J 1/16W CHIP R 100K J 1/16W CHIP R 56 J 1/16W	E E E E	
R343-345 R346-348 R349-351 R352 R353			RK73GB1J223J RK73GB1J223J RK73GB1J000J RK73GB1J000J RK73GB1J000J	CHIP R 22K J 1/16W CHIP R 22K J 1/16W CHIP R 0 J 1/16W CHIP R 0 J 1/16W CHIP R 0 J 1/16W		KPY KPY
R354-356 R357 R358 R359-362 R364,365			RK73GB1J332J RK73GB1J000J RK73GB1J332J RK73GB1J332J RK73GB1J000J	CHIP R 3.3K J 1/16W CHIP R 0 J 1/16W CHIP R 3.3K J 1/16W CHIP R 3.3K J 1/16W CHIP R 0 J 1/16W		E
R366 R367,368 R369,370 R371 R372			RK73GB1J560J RK73GB1J000J RK73GB1J4R7J RK73GB1J104J RK73GB1J470J	CHIP R 56 J 1/16W CHIP R 0 J 1/16W CHIP R 4.7 J 1/16W CHIP R 100K J 1/16W CHIP R 47 J 1/16W		E E E
R373 R374 R380 R381 R382			RK73GB1J104J RK73GB1J470J RK73GB1J332J RK73GB1J113J RK73GB1J223J	CHIP R 100K J 1/16W CHIP R 47 J 1/16W CHIP R 3.3K J 1/16W CHIP R 11K J 1/16W CHIP R 22K J 1/16W	E E	
R383 R384 R385 R386 R387			RK73GB1J222J RK73GB1J473J RK73GB1J222J RK73GB1J223J RK73GB1J113J	CHIP R 2.2K J 1/16W CHIP R 47K J 1/16W CHIP R 2.2K J 1/16W CHIP R 22K J 1/16W CHIP R 11K J 1/16W		
R388 R389 R390,391 R392 R394			RK73GB1J473J RK73GB1J104J RK73GB1J102J RK73GB1J104J RK73GB1J103J	CHIP R 47K J 1/16W CHIP R 100K J 1/16W CHIP R 1.0K J 1/16W CHIP R 100K J 1/16W CHIP R 10K J 1/16W		
R396 R397 R398 R399,400 R401			RK73GB1J220J RK73GB1J750J RK73GB1J471J RK73GB1J000J RK73GB1J4R7J	CHIP R 22 J 1/16W CHIP R 75 J 1/16W CHIP R 470 J 1/16W CHIP R 0 J 1/16W CHIP R 4.7 J 1/16W		
R402 R403 R404,405 R406,407 R408-411			RK73GB1J104J RK73GB1J470J RK73GB1J104J RK73GB1J151J RK73GB1J181J	CHIP R 100K J 1/16W CHIP R 47 J 1/16W CHIP R 100K J 1/16W CHIP R 150 J 1/16W CHIP R 180 J 1/16W		
R412 R413 R414 R415 R416			RK73GB1J471J RK73GB1J394J RK73GB1J470J RK73GB1J104J RK73GB1J824J	CHIP R 470 J 1/16W CHIP R 390K J 1/16W CHIP R 47 J 1/16W CHIP R 100K J 1/16W CHIP R 820K J 1/16W		
R417,418 R419-421 R422 R423			RK73GB1J000J RK73GB1J4R7J RK73GB1J682J RK73GB1J222J	CHIP R 0 J 1/16W CHIP R 4.7 J 1/16W CHIP R 6.8K J 1/16W CHIP R 2.2K J 1/16W		

L : Scandinavia K : USA P : Canada R : Mexico C : China I : Malaysia
 Y : PX(Far East,Hawaii) T : England E : Europe G : Germany V : China(Shanghai)
 Y : AAFES(Europe) X : Australia Q : Russia H : Korea M : Other Areas Δ indicates safety critical components .

PARTS LIST

DV-705/DVF-R5070-S

* New Parts

Parts without **Parts No.** are not supplied.Les articles non mentionnés dans le **Parts No.** ne sont pas fournis.Teile ohne **Parts No.** werden nicht geliefert.

5

Ref. No	Add-ress	New Parts	Parts No.	Description	Desti-nation	Re-marks
S301			S62-0115-08	SWISLIDE HORIZ 55397390	KPY	
D301-303			1SS355	D-SLP 1SS355 3 20496510		
D304			UDZS2.2B	D-ZENER UDZS 2 55171070		
D305-307			1N4148	D-SLP 1N4148 1 70436540		
D308-310			1SS355	D-SLP 1SS355 3 20496510		
I300			TC7SET04FU	IC(INVERTER)SE 55415450		
I301		*	MM1226XFBE	IC-SWITCH MM12 20680930	E	
I303			BA4560F	IC-OPERAMP BA4 55128990	E	
I304			WM8728	IC-CONV WM8728 55291470		
I305,306			BA4560F	IC-OPERAMP BA4 55128990		
I307			KIA7805API	IC(VOLTAGE REGULATOR)60		
Q301			KTD1304	TR-SLPSWA KTD1 55138710		
Q302		*	KRC111S	TR-SSD KRC111S 55050920		
Q303			KRC107S	TR-SSD KRC107S 55051240	E	
Q304-308			KTD1304	TR-SLPSWA KTD1 55138710	E	
Q309			KTC3875Y	TR-SLPSWA KTC3 20970460	E	
Q310			KTA1504Y	TR-SLPSWA KTA1 20970480	E	
Q311			KTD1304	TR-SLPSWA KTD1 55138710		
Q312			DTA114YKA	TR-SSD DTA114Y 55133190		
Q313			KTD1304	TR-SLPSWA KTD1 55138710		
Q314			DTC114TKA	TR-SSD DTC114T 55133330		
Q315-317			KTD1304	TR-SLPSWA KTD1 55138710		
Q318			2N3906	TR-SLPLF 2N390 20926560		
VFD / KEY						
C1,2			CK45FB1E104Z	CERAMIC 0.10UF	Z	
C3			CK45FB1H104Z	CERAMIC 0.10UF	Z	
C4,5			CE04LW1C470M	ELECTRO 47UF	16WV	
S1-13			S70-0087-08	SWITACT VERTIC 55145270		
D1-7			1N4148	D-SLP 1N4148 1 70436540		
D8-12			B30-2645-08	D-LEM CT-3SGTA 55199400		
D14,15			1N4148	D-SLP 1N4148 1 70436540		
IR1			NJL63H380A	IC-REMOTE NJL6 55156010		
U1		*	12-BT-151GNK	DISPLAY 12-BT- 55643560		
U2		*	UPD16315GB-3BS	IC-DISPLAY UPD 55544740		
MAIN						
J8			E35-3215-08	CONN 1.25MM 19 55124680		
J12			E40-8765-08	CONN 2.0MM 7 M 55090060		
C1			CC73GCH1H220J	CHIP C 22PF	J	
C2			CC73GCH1H100D	CHIP C 10PF	D	
C3			CC73GCH1H220J	CHIP C 22PF	J	
C4			CC73GCH1H100D	CHIP C 10PF	D	
C5			CC73GCH1H220J	CHIP C 22PF	J	
C6			CC73GCH1H100D	CHIP C 10PF	D	
C7,8			CC73GCH1H220J	CHIP C 22PF	J	
C9			CC73GCH1H100D	CHIP C 10PF	D	
C10			CC73GCH1H220J	CHIP C 22PF	J	
C11			CC73GCH1H100D	CHIP C 10PF	D	
C12			CE04LW1C470M	ELECTRO 47UF	16WV	
C13-15			CE04LW1C221M	ELECTRO 220UF	16WV	
C17,18			CE04LW1C221M	ELECTRO 220UF	16WV	
C19-21			CK73GB1H102K	CHIP C 1000PF	K	
C22			CC73GCH1H100D	CHIP C 10PF	D	

L : Scandinavia K : USA P : Canada R : Mexico C : China I : Malaysia
 Y : PX(Far East,Hawaii) T : England E : Europe G : Germany V : China(Shanghai)
 Y : AAFES(Europe) X : Australia Q : Russia H : Korea M : Other Areas Δ indicates safety critical components .

* New Parts

Parts without **Parts No.** are not supplied.Les articles non mentionnés dans le **Parts No.** ne sont pas fournis.Teile ohne **Parts No.** werden nicht geliefert.

6

Ref. No	Add-ress	New Parts	Parts No.	Description	Desti-nation	Re-marks
C23			CK73GB1H102K	CHIP C 1000PF	K	
C24,25			CC73GCH1H100D	CHIP C 10PF	D	
C27			CK73GB1H102K	CHIP C 1000PF	K	
C28			CK73GB1C104Z	CHIP C 0.10UF	Z	
C33-36			CK73GB1C104Z	CHIP C 0.10UF	Z	
C37			CE04LW1C470M	ELECTRO 47UF	16WV	
C38-40			CK73GB1C104Z	CHIP C 0.10UF	Z	
C42-46			CK73GB1C104Z	CHIP C 0.10UF	Z	
C47			CE04LW1C470M	ELECTRO 47UF	16WV	
C48			CK73GB1C104Z	CHIP C 0.10UF	Z	
C50-60			CK73GB1C104Z	CHIP C 0.10UF	Z	
C65			CE04LW1C470M	ELECTRO 47UF	16WV	
C66-71			CK73GB1C104Z	CHIP C 0.10UF	Z	
C72			CE04LW1C100M	ELECTRO 10UF	16WV	
C73			CK73GB1C104Z	CHIP C 0.10UF	Z	
C74			CE04LW1C470M	ELECTRO 47UF	16WV	
C75			CK73GB1C104Z	CHIP C 0.10UF	Z	
C81,82			CE04LW1C470M	ELECTRO 47UF	16WV	
C84-89			CK73GB1C104Z	CHIP C 0.10UF	Z	
C90			CE04LW1C470M	ELECTRO 47UF	16WV	
C91-93			CK73GB1C104Z	CHIP C 0.10UF	Z	
C96-102			CK73GB1C104Z	CHIP C 0.10UF	Z	
CD3			CE04LW1C220M	ELECTRO 22UF	16WV	
CX3			CK73GB1C104Z	CHIP C 0.10UF	Z	
L1			R92-1989-08	FBEAD SURFACE 55126660		
L2		*	L92-0569-08	LF-SMD 1U8H +1 21154870		
L3-11			R92-1989-08	FBEAD SURFACE 55126660		
L12		*	L92-0568-08	FBEAD BEAD 69. 60452600		
L13		*	L92-0569-08	LF-SMD 1U8H +1 21154870		
L14			R92-1989-08	FBEAD SURFACE 55126660		
L15,16		*	L92-0568-08	FBEAD BEAD 69. 60452600		
L17-19			R92-1989-08	FBEAD SURFACE 55126660		
L20		*	L92-0569-08	LF-SMD 1U8H +1 21154870		
L25		*	L92-0568-08	FBEAD BEAD 69. 60452600		
L26			R92-1989-08	FBEAD SURFACE 55126660		
L28			R92-1989-08	FBEAD SURFACE 55126660		
L29		*	L92-0569-08	LF-SMD 1U8H +1 21154870		
L35-37		*	L92-0568-08	FBEAD BEAD 69. 60452600		
L38			RK73GB1J000J	RMGCFMIC 0 OHM 10328750		
L39		*	L92-0569-08	LF-SMD 1U8H +1 21154870		
L40		*	L92-0568-08	FBEAD BEAD 69. 60452600		
L42,43			R92-1989-08	FBEAD SURFACE 55126660		
L44		*	L92-0568-08	FBEAD BEAD 69. 60452600		
L45-52			R92-1989-08	FBEAD SURFACE 55126660		
L53		*	L92-0569-08	LF-SMD 1U8H +1 21154870		
L60-62			R92-1989-08	FBEAD SURFACE 55126660		
L63			RK73GB1J000J	RMGCFMIC 0 OHM 10328750		
L64-67			R92-1989-08	FBEAD SURFACE 55126660		
L68-71		*	L92-0568-08	FBEAD BEAD 69. 60452600		
L73-75			R92-1989-08	FBEAD SURFACE 55126660		
L77,78		*	L92-0568-08	FBEAD BEAD 69. 60452600		
L79			R92-1989-08	FBEAD SURFACE 55126660		
L80-82			R92-1989-08	FBEAD SURFACE 55126660		
X1		*	L77-2417-08	FILQZ 13M5 HZ 55176430		

L : Scandinavia K : USA P : Canada R : Mexico C : China I : Malaysia
 Y : PX(Far East,Hawaii) T : England E : Europe G : Germany V : China(Shanghai)
 Y : AAFES(Europe) X : Australia Q : Russia H : Korea M : Other Areas Δ indicates safety critical components .

DV-705/DVF-R5070-S

SPECIFICATIONS

[Type]

System..... DVD video player
Signal read system..... Semiconductor laser
Wave length..... For DVD; 640 to 660 nm
For CD; 770 to 810 nm
Power class Class 2 (IEC)

[D/A Conversion Section]

D/A conversion 24 Bit
Oversampling 8 fs (Sampling frequency; 44.1, 48 kHz)
..... 4 fs (Sampling frequency; 96 kHz)

[Audio section]

Frequency response
Sampling frequency ; 44.1 kHz 4 Hz ~ 20 kHz
Sampling frequency ; 48 kHz 4 Hz ~ 22 kHz
Sampling frequency ; 96 kHz 4 Hz ~ 38 kHz
Signal to noise ratio More than 98 dB
Dynamic range More than 92 dB
Total harmonic distortion Less than 0.008 % (1 kHz)
Channel separation More than 90 dB (1 kHz)
Wow and flutter Below measurable limit
Analog output level/impedance 2 V / 510 Ω
Digital output level/impedance
COAXIAL 0.5 Vp-p / 75 Ω
OPTICAL -21 dBm ~ -15 dBm (Wave length 660 nm)

[Video Section]

Video output format NTSC/PAL
Video compression
DVD MPEG-2
Composite video output level
..... 1 Vp-p (75 Ω load, sync. negative)
S-video output level
(Y-signal) 1 Vp-p (75 Ω load, sync. negative)
(C-signal)
NTSC 0.286 Vp-p (75 Ω)
PAL 0.300 Vp-p (75 Ω)
Component Video output level (For U.S.A., CANADA
and U.S. Military)
(Y-signal) 1 Vp-p (75 Ω)
(Cb-signal) 0.648 Vp-p (75 Ω)
(Cr-signal) 0.648 Vp-p (75 Ω)
RGB output level (SCART) (For Europe) 0.7 Vp-p (75 Ω)
Horizontal resolution More than 480 lines
Video signal to noise ratio More than 70 dB

[General]

Power consumption 16 W
Dimensions W : 440 mm (17-5/16")
H : 88 mm (3-7/16")
D : 388 mm (15-1/4")
Weight (net) 5.3 kg (11.7 lb)



KENWOOD follows a policy of continuous advancements in development. For this reason specifications may be changed without notice.

- Sufficient performance may not be exhibited at extremely cold locations (Where water freezes).